

EASY LINK

www.easylinkmounting.com

VALVE AUTOMATION HARDWARE

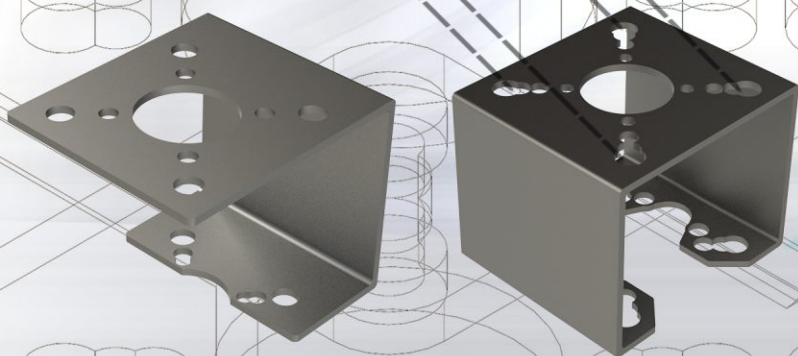
**One of the Largest Selection
Of Couplers and Brackets
on the Market!**

**Cast bracket
for added
Strength**



**Large Selection of Couplers will Adapt to Most
Actuator Female Square Drives with ISO 5211 Dimensions.**

ISO Mounting Holes Standard

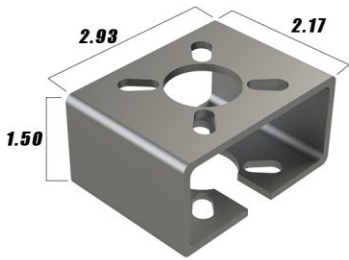


**LIMIT SWITCH
BRACKET**



DATASHEET PROVIDED COURTESY OF ACCURATE VALVE - ILLINOIS, USA - WWW.ACCURATEVALVE.COM - PH: +1 (708) 588 - 1433

BK0



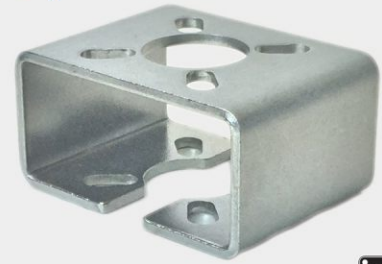
**ISO Pattern
(Actuator)**

- F03
- F04
- F05

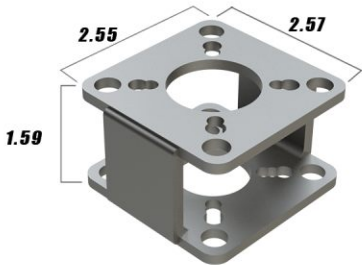
**ISO Pattern
(Valve)**

- F03
- F04
- F05

**Fabricated Type Bracket
CF8 / 304SS or CS Plated
*1/4" - 1"**



BK1



**ISO Pattern
(Actuator)**

- F04
- F05
- F07

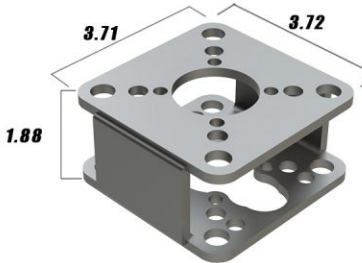
**ISO Pattern
(Valve)**

- F03
- F04
- F05 (F07)

**Investment Cast Bracket
CF8 / 304SS or WCB Plated
* 1/2" - 1 1/2"**



BK2



**ISO Pattern
(Actuator)**

- (F05)
- F07
- F010

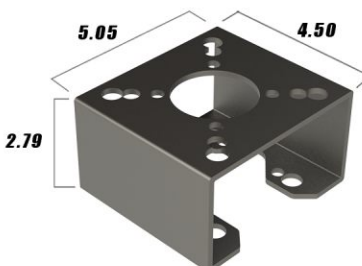
**ISO Pattern
(Valve)**

- F05
- F07
- F10
- Rect 1.89 x 2.83

**Investment Cast Bracket
CF8 / 304SS or WCB Plated
* 1 1/2" - 2 1/2"**



BK2.5



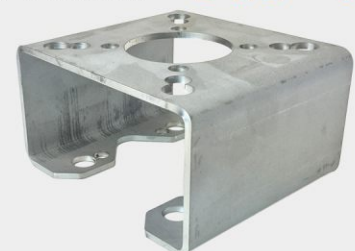
**ISO Pattern
(Actuator)**

- F07
- F10
- F12

**ISO Pattern
(Valve)**

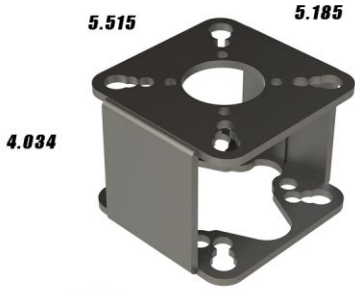
- F10
- RECT 1.89 x 2.83

**Fabricated Type Bracket
CF8 / 304SS or CS Plated
WCB / Plated - * 2 1/2" - 6"**



Valve sizing reference for Flo-Tite models only, refer to dimensions for other Manufacturer's products.

BK3



**ISO Pattern
(Actuator)**

- F07
- F10
- F12
- F14

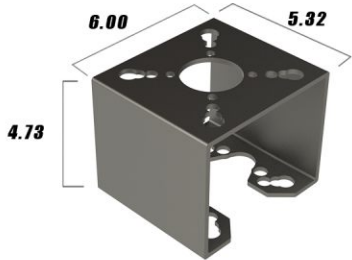
**ISO Pattern
(Valve)**

- F10
- F12
- F14
- RECT 3.54 x 1.87

**Investment Cast
304 SS Or WCB Plated
* 2 1/2" - 6"**



BK3H



**ISO Pattern
(Actuator)**

- F07
- F10
- F12
- F14

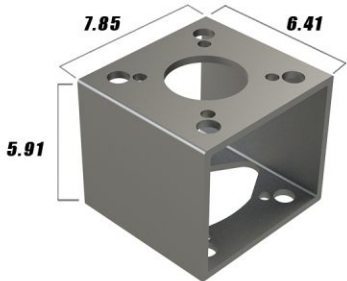
**ISO Pattern
(Valve)**

- F10
- F12
- F14
- RECT 3.54 x 1.87

**Fabricated Type
CF8 / 304SS or CS Plated
* 6" - 10"**



BK4



**ISO Pattern
(Actuator)**

- F12
- F16

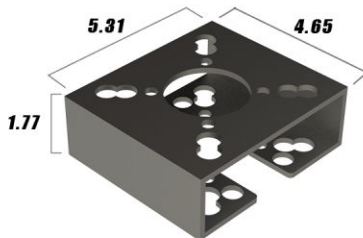
**ISO Pattern
(Valve)**

- F12
- F16

**Fabricated Type
CF8 / 304SS or CS Plated
* 6" - 10"**



BK5



**ISO Pattern
(Actuator)**

- F07
- F10
- F12
- F14

**ISO Pattern
(Valve)**

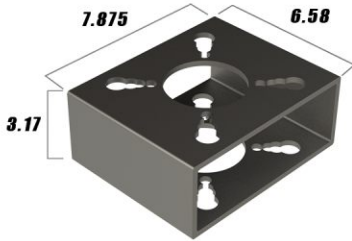
- F07
- F10
- F12
- F14
- RECT 3.54 x 1.87

**Fabricated Type
CF8 / 304SS or CS Plated
* 2 1/2" - 6"**



Valve sizing reference for Flo-Tite models only, refer to dimensions for other Manufacturer's products.

BK6



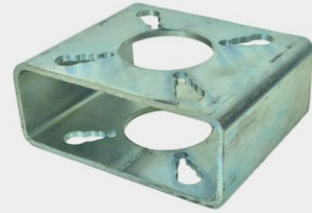
**ISO Pattern
(Actuator)**

- F10**
- F12**
- F14**
- F16**

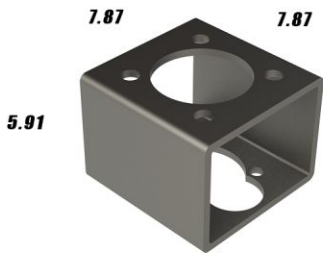
**ISO Pattern
(Valve)**

- F10**
- F12**
- F14**
- F16**

Fabricated Type
CF8 / 304SS or CS Plated
ISO 5211 - Bolt Hole Pattern
** Ideal for larger size Butterfly Valves **



BK7



**ISO Pattern
(Actuator)**

- F14**

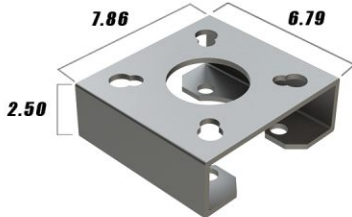
**ISO Pattern
(Valve)**

- F16**

Fabricated Type
CF8 / 304SS or CS Plated
*** 6" - 12"**



BK10



**ISO Pattern
(Actuator)**

- F14**
- F16**

**ISO Pattern
(Valve)**

- F14**

Fabricated Type
CF8 / 304SS or CS Plated
*** 8" - 12"**

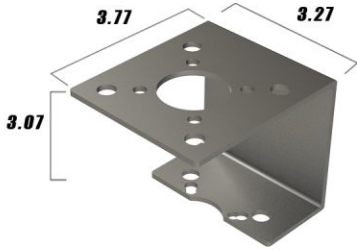


*** All brackets can be turned upside-down for additional mounting configurations.**



*** Valve sizing reference for Flo-Tite models only, refer to dimensions for other Manufacturer's products.***

LS4



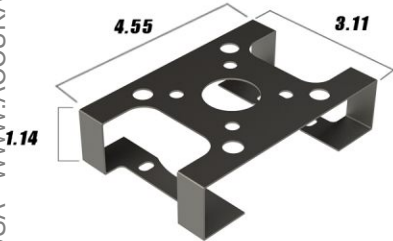
**ISO Pattern
(Actuator)**
F05
B.C. DIA 3.18

**ISO Pattern
(Valve)**
F04
F05
F07

Fabricated Type
CF8 / 304SS or CS Plated
*** 1/4" - 2"**



LS5



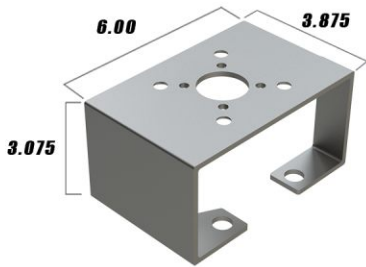
**ISO Pattern
(Actuator)**
F05
B.C. DIA 3.18

**ISO Pattern
(Valve)**
3.15X1.18

Fabricated Type
CF8 / 304SS or CS Plated
(Refer to Tech Bulletin 154E)



LS7M



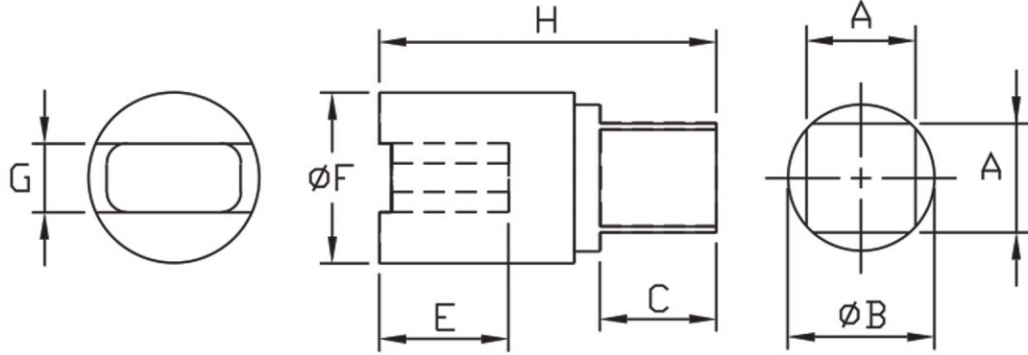
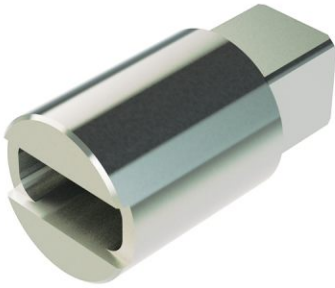
**ISO Pattern
(Actuator)**
F05
B.C. DIA 3.18

**ISO Pattern
(Valve)**
F10

Fabricated Type
CF8 / 304SS or CS Plated
*** 2 1/2" - 6"**



Valve sizing reference for Flo-Tite models only, refer to dimensions for other Manufacturer's products.

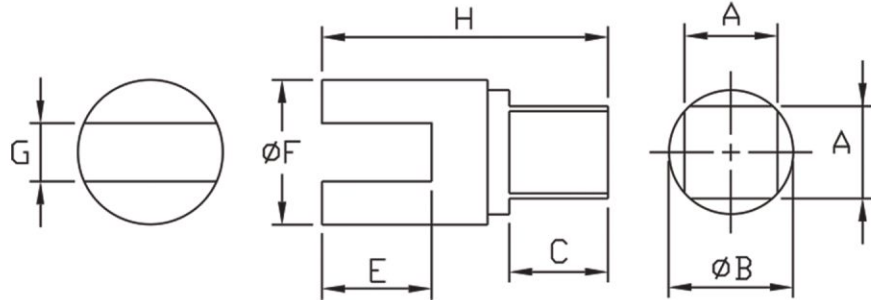
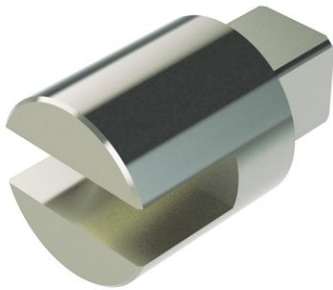


ISO Square Encapsulated Couplers

CPLR-050 (304SS)								
Model	SQUARE (A)	SLOT (G)	SLOT DEPTH (E)	SHOULDER HEIGHT (H-C)	WEIGHT	LENGTH (H)	SQ. HEIGHT (C)	DIAMETER (F)
050A	0.43	0.25	0.36	0.28	0.17	1.80	0.49	1.00
050B	0.43	0.315	0.47	1.19	0.18	1.70	0.51	1.00
CPLR-063 (304SS)								
Model	SQUARE (A)	SLOT (G)	SLOT DEPTH (E)	SHOULDER HEIGHT (H-C)	WEIGHT	LENGTH (H)	SQ. HEIGHT (C)	DIAMETER (F)
063A	0.55	0.25	0.35	1.28	0.20	1.82	0.55	1.00
063B	0.55	0.315	0.47	1.15	0.20	1.70	0.55	1.00
063C	0.55	0.375	0.52	1.44	0.29	1.99	0.55	0.98
CPLR-075 (304SS)								
Model	SQUARE (A)	SLOT (G)	SLOT DEPTH (E)	SHOULDER HEIGHT (H-C)	WEIGHT	LENGTH (H)	SQ. HEIGHT (C)	DIAMETER (F)
075A	0.667	0.25	0.35	1.30	0.29	2.02	0.75	1.00
075B	0.667	0.315	0.47	1.19	0.26	1.92	0.88	1.00
075C	0.667	0.375	0.52	1.45	0.35	2.19	0.75	0.98
075D	0.667	0.67	1.27	2.13	1.13	2.95	0.75	1.69
075DM	0.667	0.67	1.08	1.57	0.83	2.36	0.79	1.69
CPLR-100 (304SS)								
Model	SQUARE (A)	SLOT (G)	SLOT DEPTH (E)	SHOULDER HEIGHT (H-C)	WEIGHT	LENGTH (H)	SQ. HEIGHT (C)	DIAMETER (F)
100C	0.86	0.375	0.52	1.46	0.53	2.33	0.90	1.10
100D	0.86	0.67	1.26	2.14	1.21	2.99	0.87	1.69
100DM	0.86	0.67	0.99	1.58	0.91	2.36	0.79	1.69
100DH	0.86	0.67	1.28	2.84	1.67	3.70	0.86	1.70
CPLR-125 (304SS)								
Model	SQUARE (A)	SLOT (G)	SLOT DEPTH (E)	SHOULDER HEIGHT (H-C)	WEIGHT	LENGTH (H)	SQ. HEIGHT (C)	DIAMETER (F)
125C	1.06	0.375	0.52	1.44	0.95	2.56	1.13	1.42
125D	1.06	0.67	1.27	2.14	1.37	3.23	1.10	1.69
125G	1.06	0.91	1.77	2.61	2.36	4.09	1.50	2.13
125DH	1.06	0.67	1.27	2.85	1.85	3.94	1.09	1.70
CPLR-200/210 (304SS/CS Plated)								
Model	SQUARE (A)	SLOT (G)	SLOT DEPTH (E)	SHOULDER HEIGHT (H-C)	WEIGHT	LENGTH (H)	SQ. HEIGHT (C)	DIAMETER (F)
200D	1.41	0.67	1.26	2.14	2.19	3.62	1.50	1.90
200E	1.41	1.024	2.19	3.16	4.24	4.65	1.50	2.64
210G	1.41	0.91	1.78	2.60	2.73	4.11	1.49	2.13
CPLR-270 (304SS/CS Plated)								
Model	SQUARE (A)	SLOT (G)	SLOT DEPTH (E)	SHOULDER HEIGHT (H-C)	WEIGHT	LENGTH (H)	SQ. HEIGHT (C)	DIAMETER (F)
270EL	1.80	1.024	1.97	4.21	7.07	6.10	1.76	2.64
270ES	1.80	1.024	1.57	3.00	4.82	4.29	1.30	2.64
270F	1.80	1.375	1.90	4.07	8.27	5.94	1.89	3.07

DATASHEET PROVIDED COURTESY OF ACCURATE VALVE - ILLINOIS, USA - WWW.ACCURATEVALVE.COM - PH: +1 (708) 588 - 1433

ISO Square Slotted Couplers



Slotted Couplers are easily machined to meet custom requirements

CPLR-050 (304SS)								
Model	SQUARE (A)	SLOT (G)	SLOT DEPTH (E)	SHOULDER HEIGHT (H-C)	WEIGHT	LENGTH (H)	SQ. HEIGHT (C)	DIAMETER (F)
050BT	0.43	0.315	0.52	1.14	0.23	1.68	0.54	1.00
050I	0.43	0.20	0.52	1.27	0.28	1.81	0.54	1.00
050II	0.43	0.24	0.52	1.26	0.27	1.81	0.54	1.00
CPLR-063 (304SS)								
Model	SQUARE (A)	SLOT (G)	SLOT DEPTH (E)	SHOULDER HEIGHT (H-C)	WEIGHT	LENGTH (H)	SQ. HEIGHT (C)	DIAMETER (F)
063BT	0.55	0.315	0.52	1.15	0.25	1.68	0.54	1.00
063I	0.55	0.20	0.52	1.27	0.30	1.81	0.54	1.00
063II	0.55	0.24	0.52	1.27	0.29	1.81	0.54	1.00



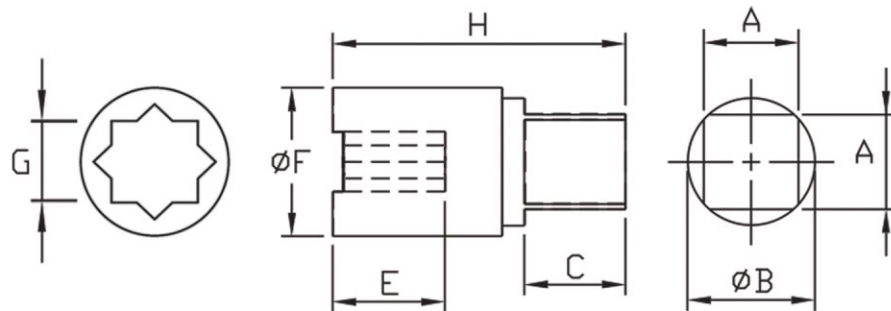
Keyless Lock System for Couplers



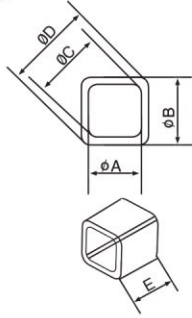
Set Screws Locking

Key-Lock Couplers prevent coupler from shifting in operation which can cause mechanical malfunction.

ISO Star Drive Couplers

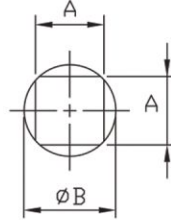
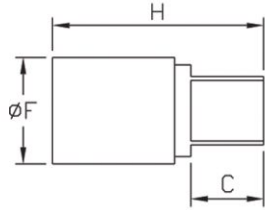


CPLR-063 (304SS)								
Model	SQUARE (A)	SLOT (G)	SLOT DEPTH (E)	SHOULDER HEIGHT (H-C)	WEIGHT	LENGTH (H)	SQ. HEIGHT (C)	DIAMETER (F)
063MP-SQ	0.55	0.43 SQ	0.62	1.27	0.22	1.89	0.63	0.87
CPLR-100 (304SS)								
Model	SQUARE (A)	SLOT (G)	SLOT DEPTH (E)	SHOULDER HEIGHT (H-C)	WEIGHT	LENGTH (H)	SQ. HEIGHT (C)	DIAMETER (F)
100D-SQ	0.86	0.67 SQ	0.72	1.79	0.85	2.74	0.95	1.40
100MP-SQ	0.86	0.55 SQ	0.71	1.50	0.52	2.44	0.94	1.11



Square Insert Adapters						
Model	A	B	C	D	E	E1
SQ-1109	0.35	0.43	0.48	0.56	0.39	1.26
SQ-1411	0.43	0.55	0.56	0.71	0.63	1.26
SQ-1711	0.43	0.67	0.56	0.87	0.67	1.25
SQ-1714	0.55	0.67	0.72	0.87	0.67	1.25
SQ-2217	0.67	0.87	0.88	1.10	0.87	1.74
SQ-2722	0.87	1.06	1.12	1.42	1.06	1.74
SQ-3627	1.06	1.42	1.42	1.77	1.42	2.83

E1 Type insert offers added height Ideal for butterfly valve sizes 2" - 6"

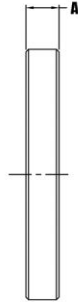
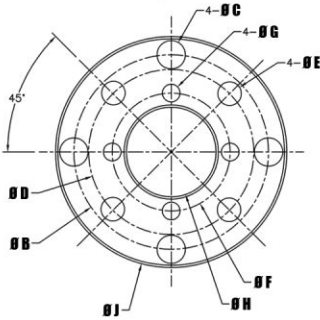


ISO Square Blank Couplers					
Model	A	B	C	F	H
22B	0.67	0.87	0.51	0.87	2.01
28C	0.86	1.10	0.75	1.10	2.32
36D	1.06	1.41	0.87	1.42	3.39
80ES	2.00	2.37	1.50	3.15	4.65
80EL	2.00	2.37	1.77	3.15	6.10



Custom Fabricated Stem Extensions

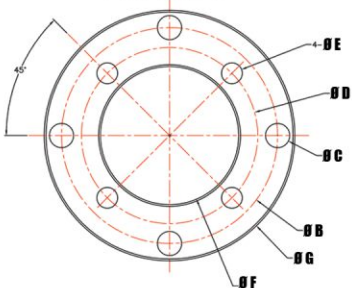
BF1/S1A



Butterfly ISO Spacer Plates (Plated Steel)										
Model	A	B	C	D	E	F	G	H	J	FO Pattern
Bf1	0.75	3.25*	0.47	2.76	0.39	1.97	0.29	1.49	3.86	F05/F07
S1A	0.75	3.25*	0.47	2.76	0.39	1.97	0.29	1.49	3.86	F05/F07
Bf2	0.98	4.92	0.55	4.02	0.47	3.15	5.71			F10/F12
Bf3	0.50	4.92	0.55	4.02	0.47	3.15	6.00			F10/F12

* Bolt Circle in accordance with many Keystone/Bray valves

BF2/BF3



Easy-Link is a leading close tolerance custom manufacturer of mounting brackets and specialty products for use with valves, actuators, limit switches, positioners and many more items used in today's valve industry.

