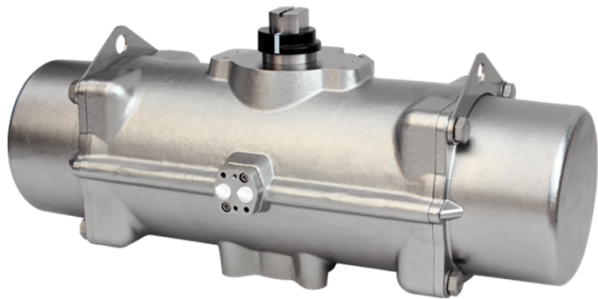


Series S79P 316SS Pneumatic Actuator

New Size!!



Air Consumption (Cubic Inches)				
Model No.	Air to Air		Air to Spring	
	Open Port A	Close Port B	Open Port A	Close Port B
FS79P	323.41	323.41	323.41	-

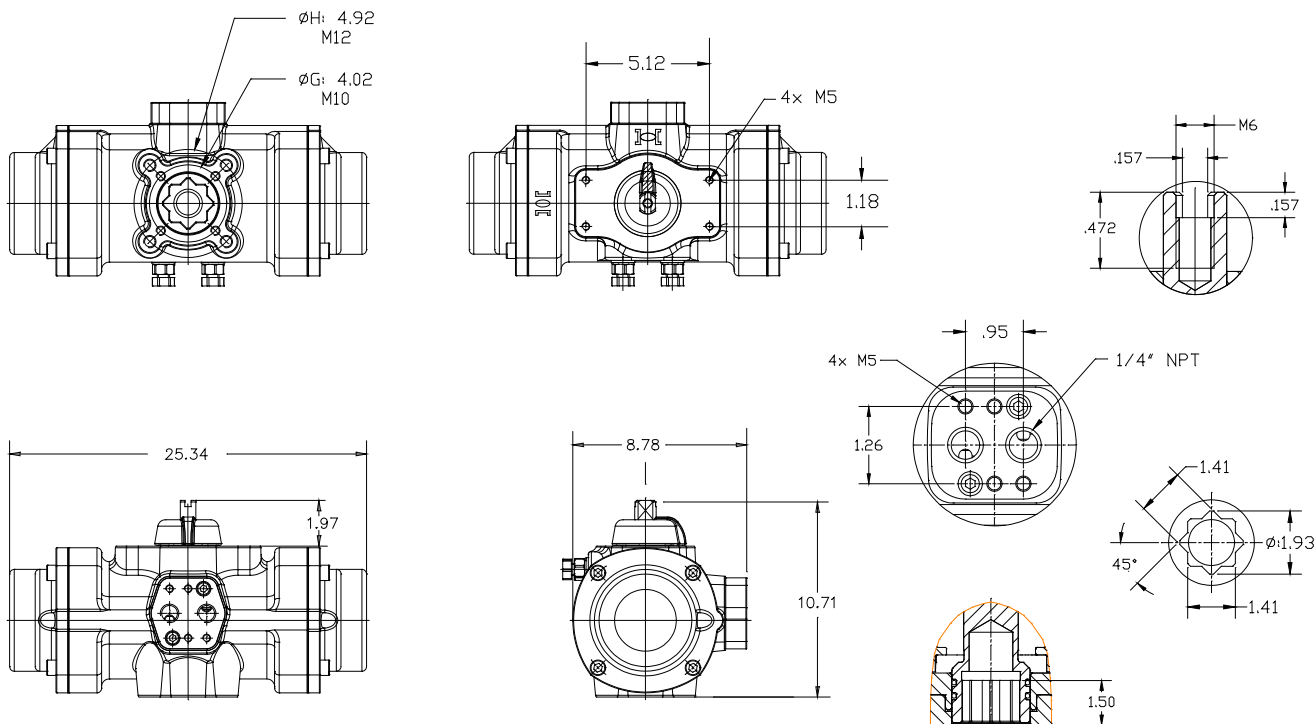
Weight (Pounds)		
Model No.	Air to Air	Air to Spring
FS79P	84.66	127.00

Cycle Time (Seconds)				
Model No.	Air to Air		Air to Spring	
	Open Port A	Close Port B	Open Port A	Close Port B
FS79P	1.2	1.2	2	2

Torque Air to Air (inch-Pounds)					
Model	Supply Pressure (psi)				
	40	60	80	100	120
FS79P	5155	6917	9560	12204	13967

Torque Air to Spring (inch-Pounds)													
Model	Spring Set	40 psi		60 psi		80 psi		100 psi		120 psi		Spring Torque	
		Start	End	Start	End	Start	End	Start	End	Start	End	Start	End
FS79PS	1	3589	2718	5355	4485	7995	7125					2436	1566
	2	2370	1152	4136	2918	6776	5558	9420	8202			4003	2785
	3			3092	1352	5732	3992	8376	6635	10138	8398	5569	3829
	4*					5207	2773	7854	5417	9616	7180	6787	4351

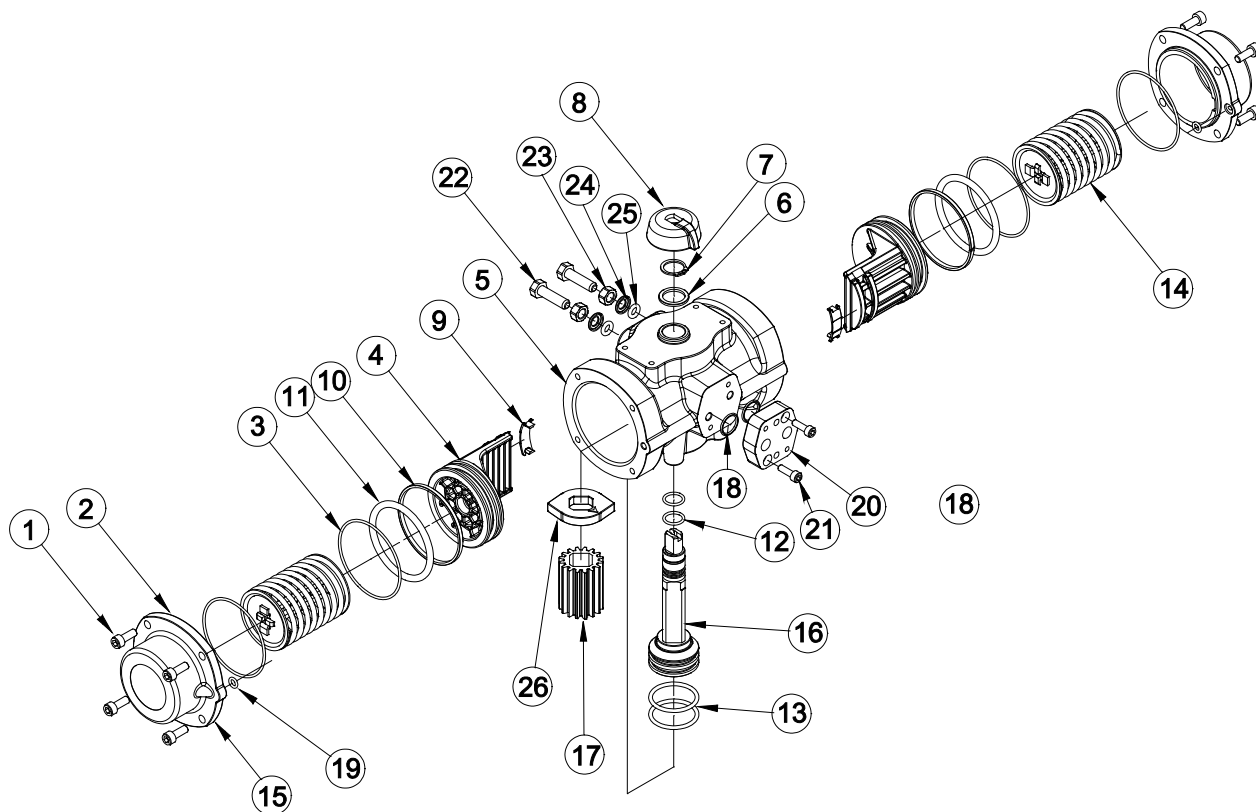
CONFORMING TO STANDARDS: ISO 5211, DIN 3337, VDE-3845, NAMUR



New Products

ILLINOIS, USA - WWW.ACCURATEVALVE.COM - PH: +1 (708) 588 - 1433

New Products



No	Description	Material
1	End Cap Bolt	316 Stainless Steel
2	End Cap	316 Stainless Steel
3	End Cap O-Ring	NBR
4	Piston	Cataphoresis Coated Aluminum
5	Actuator Body	316 Stainless Steel
6	Washer	Polyamide 6
7	Shaft Retaining Ring	Stainless Steel
8	Position Indicator	Polyamide
9	Piston Guide	Polyacetal
10	Guide Ring	PTFE/Bronze
11	Piston O-Ring	NBR
12	Upper Shaft O-Ring	NBR
13	Lower Shaft O-Ring	NBR
14	Spring Set	Cataphoresis Coated DIN-17223-C
16	Shaft	316 Stainless Steel
17	Pinion Gear	Cataphoresis Coated Aluminum
18	Air Connection Plate O-Ring	NBR
19	End Cap Gasket	NBR
20	Air Connection Plate	316 Stainless Steel
21	Bolt for Air Connection Plate	316 Stainless Steel
22	Adjustment Bolt	316 Stainless Steel
23	Adjustment Locknut	316 Stainless Steel
24	Bushing	316 Stainless Steel
25	Travel Stop O-Ring	NBR
26	Cam	304 Stainless Steel