



TITAN FLOW CONTROL, INC.

**DUPLEX STRAINER ♦ DUAL BALL TYPE ♦ THREE PIECE BODY**  
**ANSI CLASS 150 ♦ CARBON & STAINLESS ♦ FLANGED & THREADED**

**NEW  
Three-Piece  
Design!**

**MODELS: DS 596-CS**  
(Threaded - Carbon Steel)

**DS 596-SS**  
(Threaded - Stainless Steel)

**DS 696-CS**  
(Flanged - Carbon Steel)

**DS 696-SS**  
(Flanged - Stainless Steel)



1/2" DS 696-SS

## FEATURES

SIZE RANGE: 3/4" ~ 4"

♦ **DUAL-BALL DIVERTER DESIGN**

THIS DUPLEX IS DESIGNED WITH TWO STAINLESS STEEL BALLS THAT EFFICIENTLY DIVERT THE PIPELINE FLOW FROM ONE BASKET CHAMBER TO THE OTHER. TEFLON SEATS ENSURE A POSITIVE SEAL AND HELP TO PREVENT SEEPAGE INTO THE CHAMBER THAT IS BEING SERVICED FOR CLEANING.

♦ **EASY TO OPERATE**

TITAN FCI'S DUPLEX STRAINER FEATURES A LOW TORQUE, EASY TO OPERATE HANDLE THAT DOES NOT REQUIRE A GEARBOX. ADDITIONALLY, THE HANDLE'S POSITION CLEARLY INDICATES WHICH BASKET IS IN SERVICE AND WHICH BASKET CAN SAFELY BE REMOVED FOR CLEANING.

♦ **REDUCED "IN-LINE" MAINTENANCE**

TITAN'S DUPLEX HAS NUMEROUS ATTRIBUTES THAT HELP REDUCE MAINTENANCE DURING CLEANING OPERATIONS. FIRST, THE DUAL BALL DESIGN ISOLATES EACH CHAMBER AND KEEPS THE SERVICING CHAMBER DRY DURING CLEANING. THERE ARE ALSO NO SPECIAL TOOLS REQUIRED TO ACCESS AND REMOVE THE STRAINING ELEMENT FROM THE CHAMBER. LASTLY, THE DUPLEX PROVIDES COVER VENTS, DRAIN PLUGS, AND FOOT PADS ON EACH CHAMBER.

♦ **ENDLESS SCREEN OPTIONS**

THIS STRAINER CAN BE FITTED WITH VIRTUALLY ANY CONFIGURATION OF PERFORATION OR MESH LINED STRAINING ELEMENTS. STRAINING ELEMENTS CAN ALSO BE CONSTRUCTED FROM SPECIAL MATERIALS SUCH AS ALLOY 20.

## TECHNICAL

**PRESSURE/TEMPERATURE RATING <sup>(1)</sup>**  
CARBON STEEL - A216 GR. WCB - CLASS 150

WOG (Non-shock): 200 PSI @ 150 °F

**PRESSURE/TEMPERATURE RATING <sup>(1)</sup>**  
STAINLESS STEEL - A351 GR. CF8M - CLASS 150

WOG (Non-shock): 200 PSI @ 150 °F

*1. The above listed temperatures are theoretical and may vary during actual operating conditions.*

## APPLICATIONS

**GENERAL APPLICATION:** THE DUPLEX STRAINER IS A UNIQUE PRODUCT WITHIN THE PIPELINE INDUSTRY. LIKE OTHER BASKET STRAINERS, THE DUPLEX STRAINER PROTECTS EXPENSIVE DOWNSTREAM EQUIPMENT BY MECHANICALLY REMOVING SOLIDS FROM FLOWING FLUIDS VIA A PERFORATED, MESH, OR WEDGE WIRE STRAINING ELEMENT. HOWEVER, THE DUPLEX STRAINER IS DESIGNED WITH TWO BASKET CHAMBERS AND A FLOW DIVERTER SYSTEM THAT ALLOWS THE PIPELINE FLOW TO BE SWITCHED FROM ONE CHAMBER TO THE OTHER, COMPLETELY ISOLATING THE FLOW TO A SINGLE CHAMBER. THIS MAKES THE DUPLEX STRAINER IDEAL FOR NON-INTERRUPTIBLE APPLICATIONS THAT CANNOT BE SHUT DOWN DURING ROUTINE MAINTENANCE AND CLEANING OPERATIONS.

*The above data represents common market and service applications. No representation or guarantee, expressed or implied, is given due to the numerous variations of concentrations, temperatures and flow conditions that may occur during actual service.*

**TITAN FLOW CONTROL, INC.**  
YOUR PIPELINE TO THE FUTURE!

Tel: 910-735-0000 ♦ Fax: 910-738-3848 ♦ titan@titanfci.com ♦ www.titanfci.com  
290 Corporate Drive ♦ PO Box 7408 ♦ Lumberton, NC 28358



**TITAN FLOW CONTROL, Inc.**

290 Corporate Drive  
Lumberton, NC 28358  
Tel: 910.735.0000

E-mail: titan@titanfci.com  
Web: www.titanfci.com  
Fax: 910.738.3848

**DUPLEX BASKET STRAINER**

**Threaded Ends**

DS 596-CS (Carbon Steel)  
DS 596-SS (Stainless Steel)

**Flanged Ends**

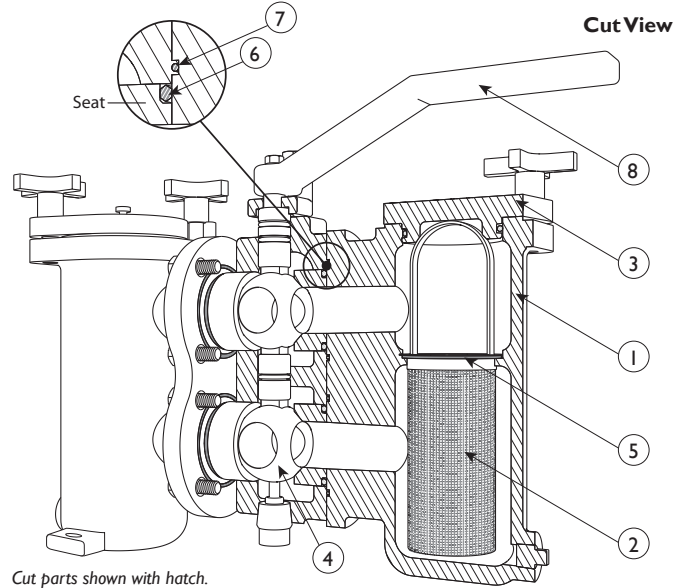
DS 696-CS (Carbon Steel)  
DS 696-SS (Stainless Steel)

ANSI  
Class  
150

**BILL OF MATERIALS <sup>(1)</sup>**

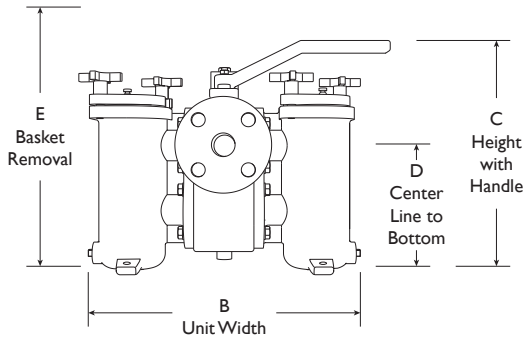
| No. | Part                                      | DS 596/696-CS               | DS 596/696-SS                   |
|-----|---|-----------------------------|---------------------------------|
| 1   | Main Body / Basket Housing <sup>(2)</sup> | Carbon Steel<br>A216 Gr.WCB | Stainless Steel<br>A351 Gr.CF8M |
| 2   | Straining Element <sup>(3)</sup>          | Stainless Steel             | Stainless Steel                 |
| 3   | Cover                                     | Carbon Steel<br>A216 Gr.WCB | Stainless Steel<br>A351 Gr.CF8M |
| 4   | Ball                                      | Stainless Steel             | Stainless Steel                 |
| 5   | O-Ring Straining Element                  | Buna-N                      | Viton                           |
| 6   | Seat Seal                                 | Teflon (PTFE)               | Teflon (PTFE)                   |
| 7   | Seals                                     | Buna-N                      | Viton                           |
| 8   | Handle                                    | Carbon Steel<br>Zinc Coated | Carbon Steel<br>Zinc Coated     |

1. Bill of Materials represents standard materials. Equivalent or better materials may be substituted at the manufacturer's discretion.
2. Aluminum Bronze and Cast Iron units are also available.
3. Denotes recommended spare parts.

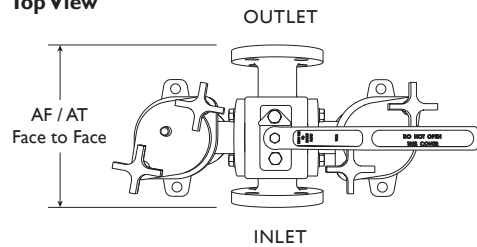


Cut parts shown with hatch.  
Illustrations are representative of a 1" DS696-CS (Flanged model).  
Please ask for certified drawings when required.

**Front View**



**Top View**



**DIMENSIONS AND PERFORMANCE DATA <sup>(1)</sup>**

| SIZE <sup>(2)</sup>                               | in             | 3/4 <sup>(3)</sup> | 1     | 1 1/4 | 1 1/2 | 2     | 2 1/2 | 3 <sup>(3)</sup> | 4 <sup>(3)</sup> |
|---|----------------|--------------------|-------|-------|-------|-------|-------|------------------|------------------|
|   | mm             | 20                 | 25    | 32    | 40    | 50    | 65    | 80               | 100              |
| <b>AF DIMENSION</b><br>FLANGED FACE TO FACE       | in             | ---                | 7.0   | 9.37  | 9.37  | 10.6  | 13.5  | 13.5             | 16.0             |
|   | mm             | ---                | 178   | 238   | 238   | 270   | 343   | 343              | 406              |
| <b>AT DIMENSION</b><br>THREADED FACE TO FACE      | in             | 5.59               | 5.59  | 7.5   | 7.5   | 10.0  | 11.5  | ---              | ---              |
|   | mm             | 142                | 142   | 191   | 191   | 254   | 292   | ---              | ---              |
| <b>B DIMENSION</b><br>UNIT WIDTH (INCLUDING PLUG) | in             | 12.95              | 12.95 | 15.12 | 15.12 | 18.43 | 22.05 | 22.0             | 26.85            |
|   | mm             | 329                | 329   | 384   | 384   | 468   | 560   | 560              | 682              |
| <b>C DIMENSION</b><br>HEIGHT WITH HANDLE          | in             | 11.0               | 11.0  | 14.2  | 14.2  | 17.7  | 22.0  | 22.0             | 25.2             |
|   | mm             | 280                | 280   | 360   | 360   | 450   | 560   | 560              | 640              |
| <b>D DIMENSION</b><br>CENTER LINE TO BOTTOM       | in             | 5.83               | 5.83  | 8.3   | 8.3   | 10.7  | 13.7  | 13.7             | 15.9             |
|   | mm             | 148                | 148   | 211   | 211   | 271   | 347   | 347              | 403              |
| <b>E DIMENSION</b><br>BASKET REMOVAL              | in             | 15.4               | 15.4  | 21.3  | 21.3  | 26.4  | 35.0  | 35.0             | 41.0             |
|   | mm             | 390                | 390   | 541   | 541   | 670   | 885   | 885              | 1040             |
| <b>APPROXIMATE WEIGHT</b><br>DS 696, FLANGED      | lb             | ---                | 46.3  | 73.9  | 73.9  | 121.3 | 237.0 | 238.1            | 373.7            |
|   | kg             | ---                | 21    | 33.5  | 33.5  | 55    | 107.5 | 108              | 169.5            |
| <b>APPROXIMATE WEIGHT</b><br>DS 596, THREADED     | lb             | 43.7               | 43.0  | 69.9  | 69.5  | 119.0 | 227.0 | ---              | ---              |
|   | kg             | 19.8               | 19.5  | 31.7  | 31.5  | 54    | 103   | ---              | ---              |
| <b>Flow Coefficient</b>                           | C <sub>v</sub> | 13                 | 14    | 19    | 24    | 42    | 68    | 105              | 180              |

1. Dimensions, weights, and flow coefficients are provided for reference only. Always request certified drawings.
2. Larger sizes (5" ~ 8") are available upon request. Please contact factory for pricing and delivery.
3. Flanged units are not available in 3/4" size; threaded units are not available in 3" or 4" sizes.

**PRESSURE - TEMPERATURE RATING**

| ANSI Class 150  | DS 596/696-CS    | DS 596/696-SS    |
|-----------------|------------------|------------------|
| WOG (Non-shock) | 200 PSI @ 150 °F | 200 PSI @ 150 °F |

**REFERENCED STANDARDS & CODES**

| Code             | Description   |
|------------------|---|
| ASME/ANSI B16.5  | Pipe Flanges and Flanged Fittings                   |
| ASME/ANSI B16.11 | Forged Steel Fittings, Socket-Welding, and Threaded |

**MATERIAL TEMPERATURES**

| Seat/Seal/Ball       | Temp Range   |
|----------------------|--------------|
| Buna-N (Seal)        | -20 ~ 250 °F |
| Viton (Seal)         | -40 ~ 400 °F |
| Stainless Steel Ball | Max 450 °F   |

**STANDARD SCREEN SELECTIONS**

| Size      | Liquid       | Open Area | Steam           | Open Area |
|-----------|--------------|-----------|-----------------|-----------|
| 3/4" ~ 4" | 1/16 (.0625) | 41%       | Not Recommended |           |

Titan FCS/SS makes every effort to ensure the information presented on our literature accurately reflects exact product specifications. However, as product changes occur, there may be short-term differences between actual product specifications and the information contained within our literature. Titan FCS/SS reserves the right to make design and specification changes to improve our products without prior notification. When required, request certified drawings.