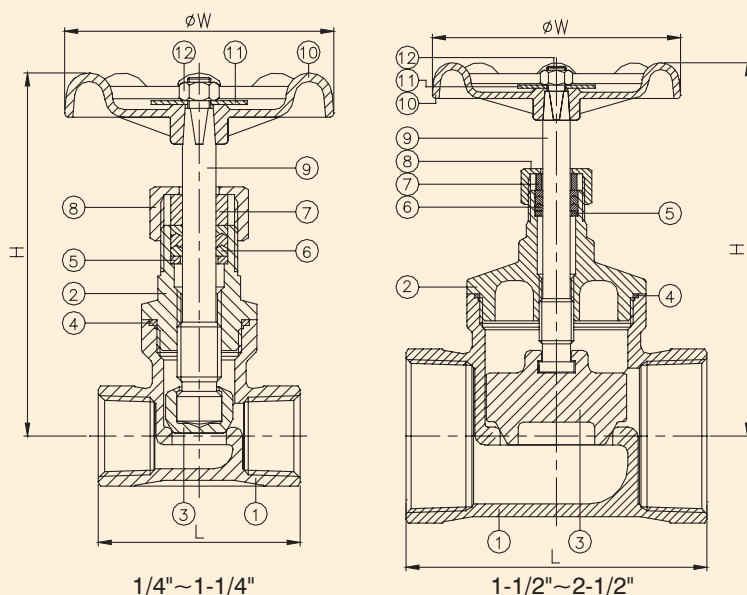
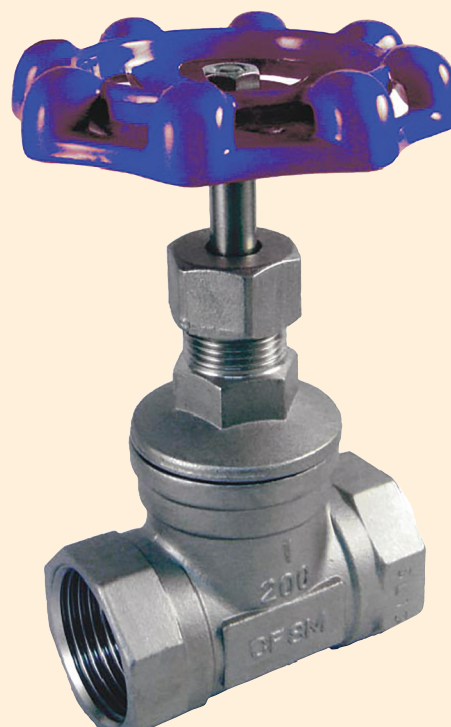


OVC# SS200GL

Screwed End Globe Valve

Features

- 1/4" ~ 2-1/2" (DN8 ~ DN65)
- W.P. : 200 WOG
- W.T. : -20°C~200°C (-4°F~392°F)
- Investment casting
- Rising stem
- Thread type: ASME B1.20.1 (NPT)
DIN2999 & BS21
ISO7/1 & EN10226



NO.	DESCRIPTION	MATERIAL	
1	BODY	ASTM A351-CF8M	ASTM A351-CF8
2	DISC	ASTM A351-CF8M	ASTM A351-CF8
3	BONNET	ASTM A351-CF8M	ASTM A351-CF8
4	SEAL	PTFE	
5	GASKET	AISI 304	
6	PACKING	PTFE	
7	GLAND RING	AISI 304	
8	CAP NUT	ASTM A351-CF8M	ASTM A351-CF8
9	STEM	AISI 316	AISI 304
10	EYE HANDLE	ALUMINUM	
11	NAMEPLATE	ALUMINUM	
12	NUT	AISI 304	

NPS	L	H		W	Wt./Lbs.
		OPEN	CLOSE		
1/4"	2.05	4.06	3.58	2.76	0.7
3/8"	2.05	4.06	3.58	2.76	0.7
1/2"	2.05	4.06	3.58	2.76	0.7
3/4"	2.6	4.37	3.94	3.15	1
1"	2.99	4.76	4.09	3.15	1.4
1-1/4"	3.39	6.14	5.31	3.54	2.1
1-1/2"	3.7	5.79	5.24	3.54	2.8
2"	4.65	6.89	6.06	3.94	4.7
2-1/2"	5.91	7.83	6.73	5.51	-

* Other sizes available upon request.

TOLL FREE (877) 423-2660 • (513) 752-5600 • FAX (513) 752-8267
EMAIL sales@ohiovalve.com • WEB www.ohiovalve.com