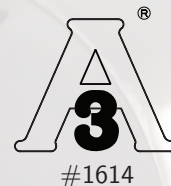
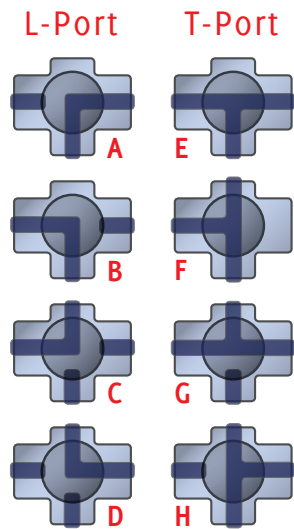


SANITARY 3-WAY BALL VALVES

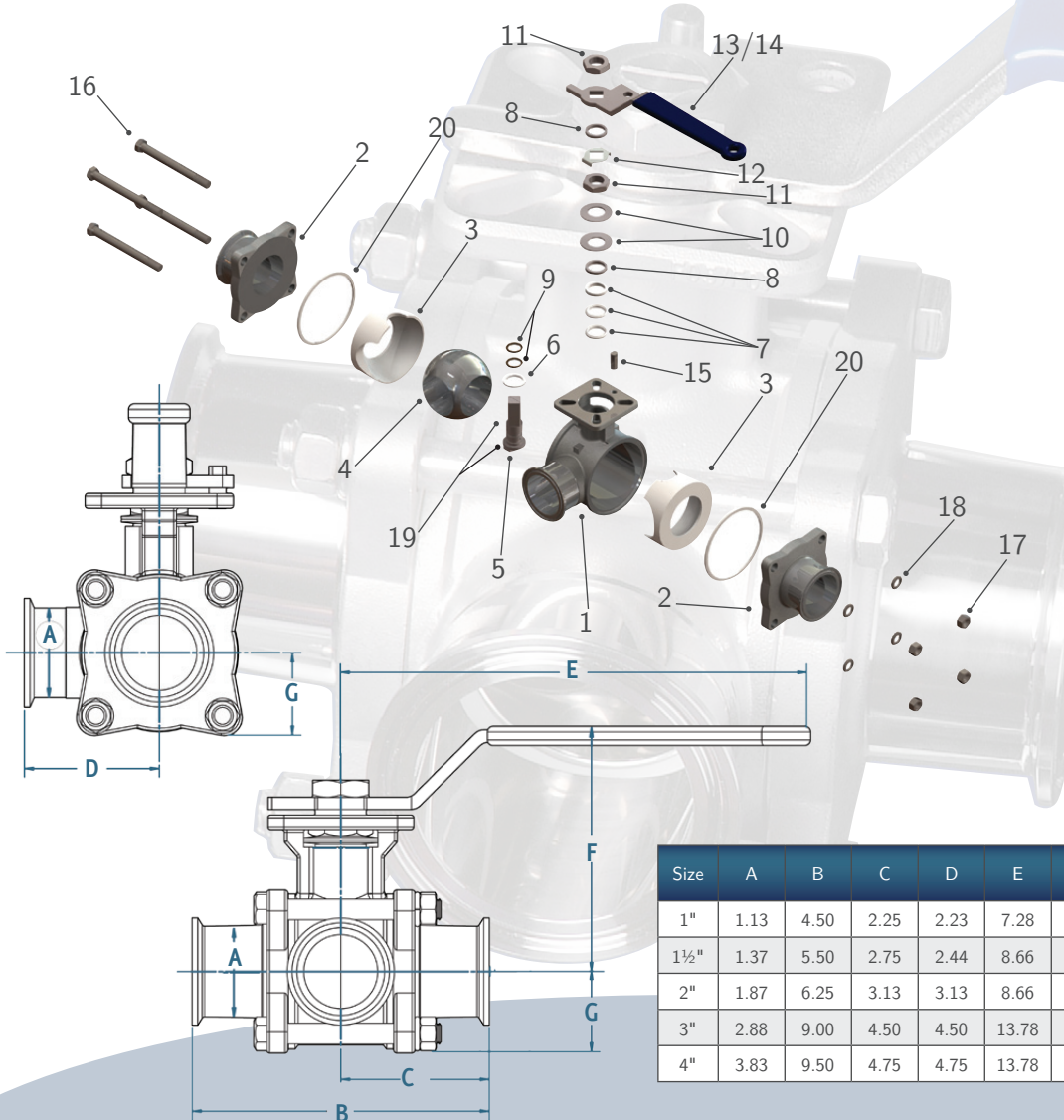
STANDARD WITH
CAVITY FILLED SEATS

Features & Specifications

- » ASTM 316 stainless steel construction, ANSI B16/B2/B18
- » Meets FDA, USDA & 3A requirements
- » High cycle stem design
- » Live loaded, self-adjusting packing and blowout proof stem design
- » Direct ISO mounting of actuation eliminates need for brackets and couplers
- » Highly polished I.D., 8-12 Ra
- » Full port, no internal taper
- » High quality investment cast body and caps
- » Standard with Tri-Clamp® ends, other ends available
- » Diverts to L-port or T-port flow patterns
- » Sizes 1"–4"
- » Center port diverts flow eliminating the use of multiple valves
- » Butt weld option available



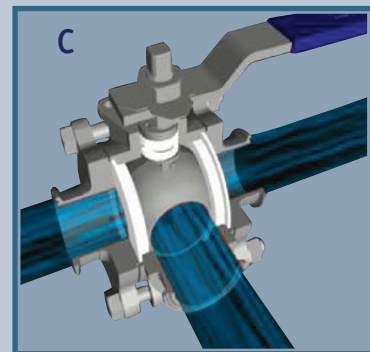
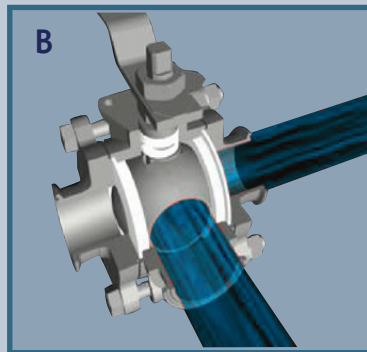
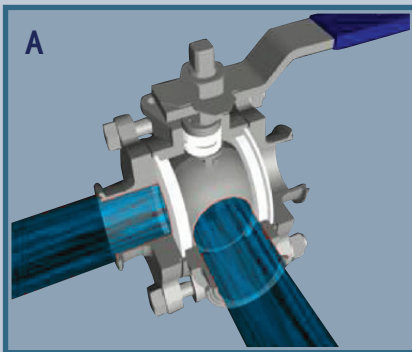
EA-3308-SN-L/T DIVERTER SERIES



Item	Part (Qty)	Material
1	Body	CF3M/316L
2	End Caps (2)	CF3M/316L
3	Seats (2)	PTFE
4	Ball	SUS 316
5	Stem	SUS 316
6	Gasket	PTFE
7	Stem Seals (3)	PTFE
8	Gland Ring (2)	SUS 304
9	O-ring	VITON®
10	Belleville Spring Washer (2)	SUS 301
11	Lever Nut (2)	SUS 304
12	Locking Tab	SUS 304
13	Handle	SUS 304
14	Plastic Coating	Vinyl
15	Stop Screw	SUS 304
16	Bolts	SUS 304
17	Bolts Nut	SUS 304
18	Lock Washer	SUS 304
19	Static Device	SUS 316
20	Body Gaskets (2)	PTFE

Size	A	B	C	D	E	F	G	ISO5211	Stem (mm)	Weight (lbs)
1"	1.13	4.50	2.25	2.23	7.28	3.62	1.12	F04/F05	11	3.5
1½"	1.37	5.50	2.75	2.44	8.66	4.41	1.53	F05/F07	14	6
2"	1.87	6.25	3.13	3.13	8.66	4.76	1.82	F05/F07	14	9.5
3"	2.88	9.00	4.50	4.50	13.78	6.63	2.91	F07/F10	17	29
4"	3.83	9.50	4.75	4.75	13.78	7.22	3.46	F07/F10	17	44

Divertor Port



*Center port remains open



The **Tru-Flo** 3-way diverter port ball valve is designed to have the center port act as the common port and must be open at all times. You can use the L-port diverter to go from center to left (Fig. A) or to go from center to right (Fig. B). The T-port diverter can do the same configurations as the L-port but can also have all three ports opened at once (Fig. C).