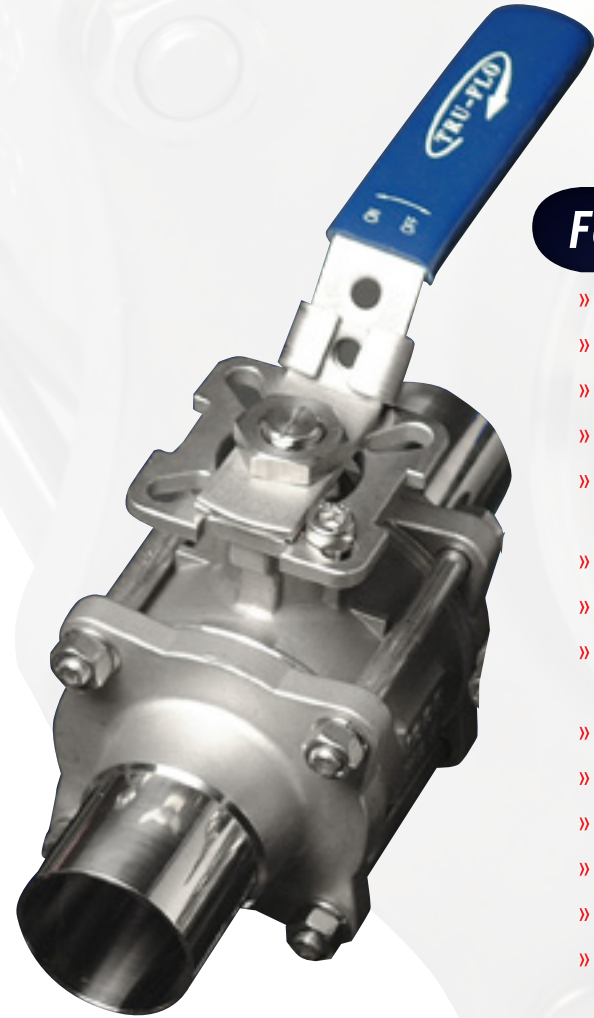


SANITARY DIRECT MOUNT BALL VALVES

Features & Specifications

- » ASTM 316/316L stainless steel
- » 3-PC body design facilitates inspection and easy inline repair
- » Full port flow to tube ID/OD without tapering
- » Highly polished 8–12 Ra ID
- » Live loaded, self-adjusting packing and Belleville washers provide better sealing and defense against leaking
- » Using body cavity fillers meets FDA, USDA & 3A requirements
- » 3-PC, v-ring stem packing for superior sealing and lower torque
- » 316L extended butt-weld ends allow easy inline welding without disassembly of valve and are suitable for orbital welding
- » Blowout-proof, bottom entry stem design and anti-static device
- » For high cycle applications—working pressure to 1000 PSI WOG
- » SST x PTFE seats available for high temperature applications
- » Available in regular or cavity filled styles
- » Cavity fillers are virgin PTFE—meets CFR 21
- » Sizes ½”–2” in 316L extended tube design
2½”–4” available in short butt-weld design



TANK END VALVES AVAILABLE



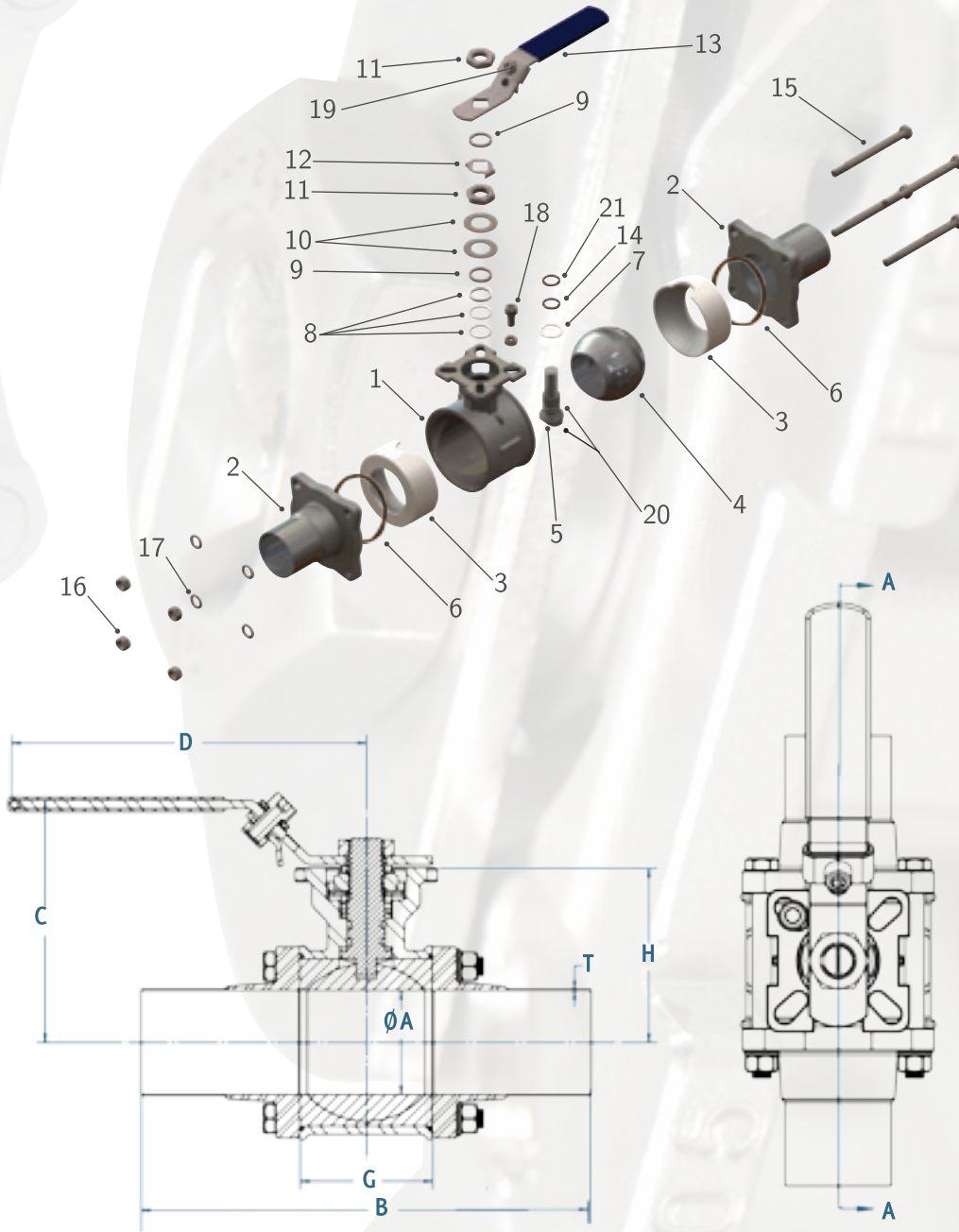
Pyramidal Stem, Double Sealing & Anti-Static Device (Optional)



#1614

EA-33NF-EXT

DATASHEET PROVIDED COURTESY OF ACCURATE VALVE - ILLINOIS, USA - WWW.ACCURATEVALVE.COM - PH: +1 (708) 588 - 1433



Item	Part (Qty)	Material
1	Body	CF8M/316
2	End Caps (2)	CF8M/316
3	Seats (2)	PTFE
4	Ball	SUS 316
5	Stem	SUS 316
6	Body Seal (2)	PTFE
7	Gasket	PTFE
8	Seal	PTFE
9	Gland Ring (2)	SUS 304
10	Belleville Spring Washer (2)	SUS 301
11	Lever Nut	SUS 304
12	Locking Tab	SUS 304
13	Handle	SUS 304
14	O-ring	VITON®
15	Bolts (4)	SUS 304
16	Bolts Nut (4)	SUS 304
17	Washer (4)	SUS 304
18	Stop Screw	SUS 304
19	Locking Device	SUS 304
20	Static Device (2)	SUS 316
21	O-ring (2)	VITON®

Size	A	B	C	D	E	G	H	L	J	J ₁	d ₁	d ₂	SW	T	ISO5211
½"	0.37	4.50	2.79	4.33	0.50	0.99	1.67	0.32	1.42	1.65	0.24	0.24	0.35	0.07	F03/F04
¾"	0.63	5.50	2.89	4.33	0.76	1.09	1.76	0.32	1.42	1.65	0.24	0.24	0.35	0.07	F03/F04
1"	0.87	6.25	3.31	5.32	1.00	1.30	2.13	0.39	1.65	1.97	0.24	0.28	0.43	0.07	F04/F05
1½"	1.37	9.00	4.31	6.50	1.50	1.94	2.89	0.58	1.97	2.76	0.28	0.35	0.55	0.07	F05/F07
2"	1.87	9.50	4.68	6.50	2.00	2.50	3.26	0.58	1.97	2.76	0.28	0.35	0.55	0.07	F05/F07
2½"	2.37	6.52	5.25	9.06	2.50	2.76	4.21	0.67	2.76	4.02	0.35	0.43	0.67	0.07	F07/F10
3"	2.88	8.98	5.91	11.81	3.00	4.02	4.62	0.67	2.76	4.02	0.35	0.43	0.67	0.07	F07/F10
4"	3.84	8.87	6.90	11.81	4.00	4.02	5.21	0.67	2.76	4.02	0.35	0.43	0.67	0.08	F07/F10

Note: Sizes 2½"-4" are short butt-weld.