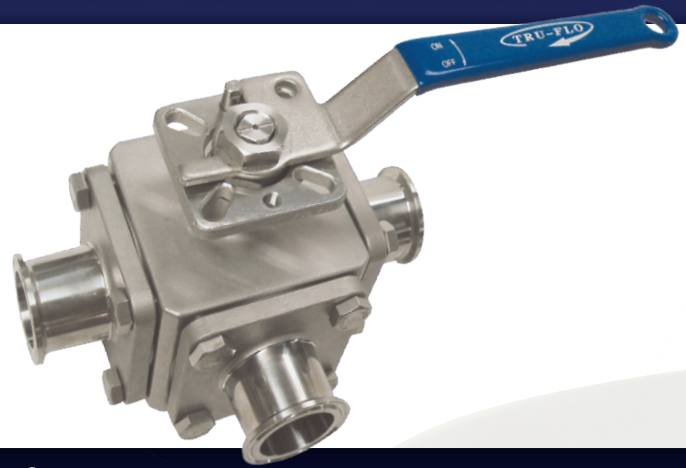


MULTIPOINT 3-WAY SANITARY BALL VALVES

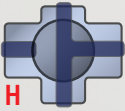
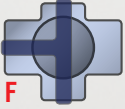
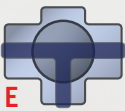
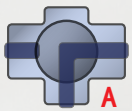
STANDARD WITH
CAVITY FILLED SEATS



Features & Specifications

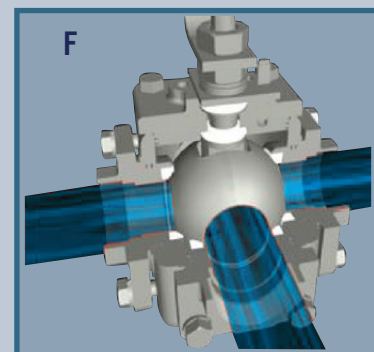
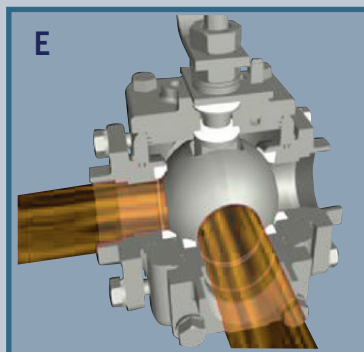
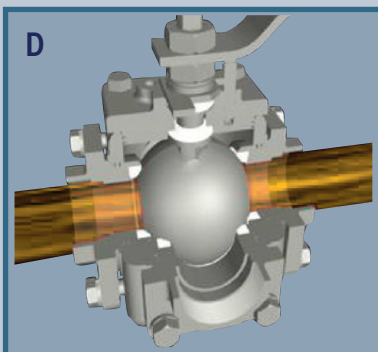
L-Port

T-Port



- » Provides positive seal at every port
- » Direct mounting ISO5211 pad facilitates easy automation and a smaller valve footprint for restrictive applications
- » Spring loaded washers create live-loaded, self-adjusting stem assembly reducing maintenance costs
- » Suitable for high cycle applications in manual or automated conditions—double seal leak protection
- » 316 stainless steel, full port in 8–12 Ra finish
- » Using body cavity fillers meets FDA, USDA & 3A requirements
- » Available options: Tri-Clamp® or butt-weld; cavity filled is standard; L-Port or T-Port configuration; 4-way double LL ball available

Multiport



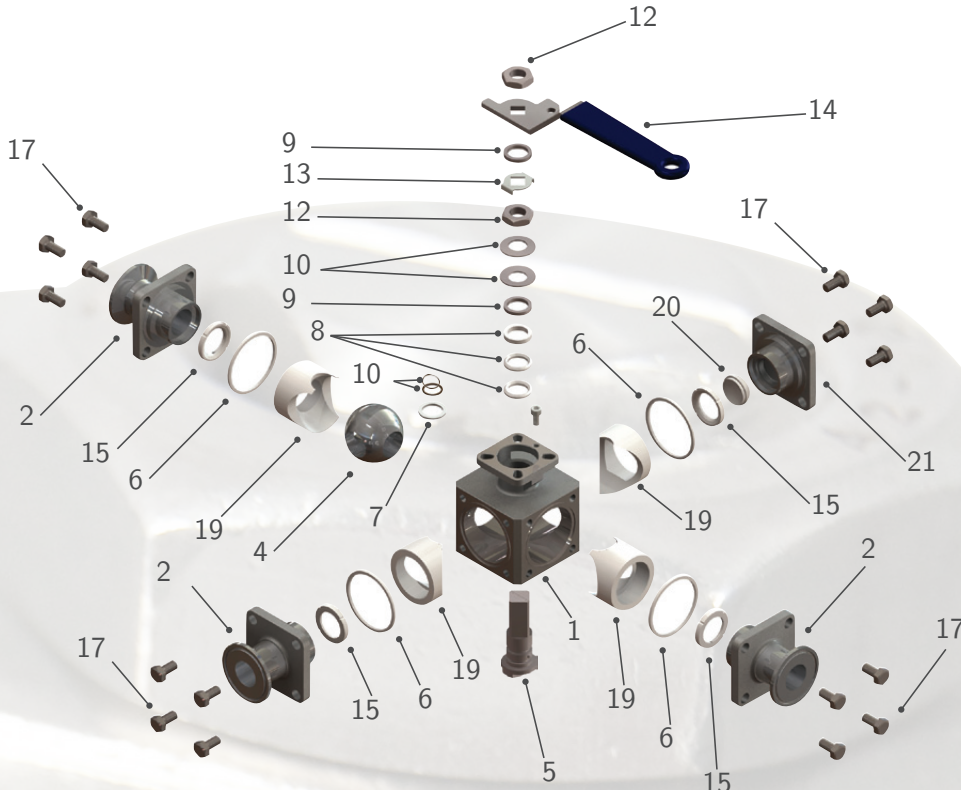
*All ports provide a positive seal



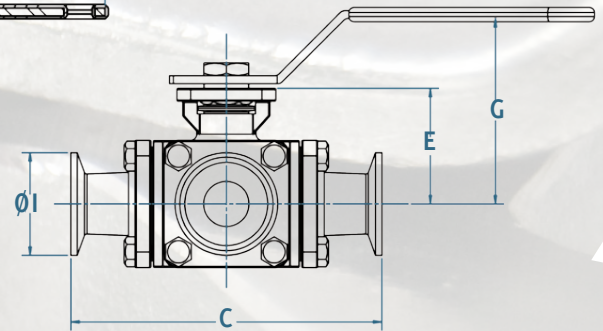
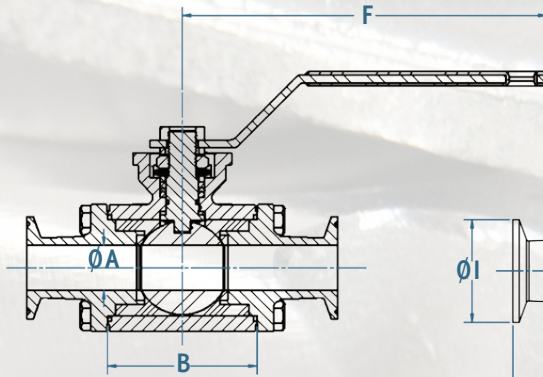
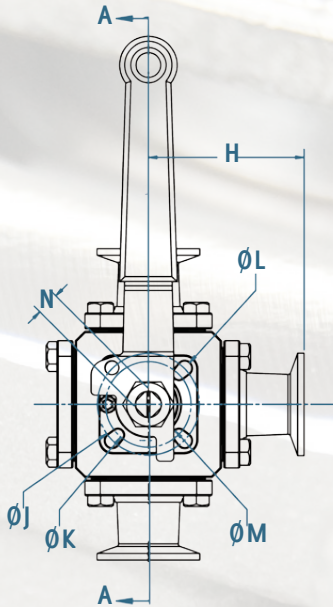
The multiport is designed for applications requiring a 3-way ball valve to close the center port and have the flow go straight through the valve (Fig. D). It allows for a positive seal thus eliminating the need for a common port. The L-port can go from center to left (Fig. E) or center to right. The T-port can do the above configurations in addition to all three ports opened at once (Fig. F).

EA-407-SN

DATASHEET PROVIDED COURTESY OF ACCURATE VALVE - ILLINOIS, USA - WWW.ACCURATEVALVE.COM - PH: +1 (708) 588 - 1433



| Item | Part (Qty) | Material |
|------|------------------------------|----------|
| 1 | Body | CF3M |
| 2 | End Caps (3) | CF3M |
| 3 | Seats (4) | PTFE |
| 4 | Ball | SUS 316 |
| 5 | Stem | SUS 316 |
| 6 | Joint Gasket (4) | PTFE |
| 7 | Body Gasket | PTFE |
| 8 | Stem Seats (3) | PTFE |
| 9 | Gland Ring (2) | SUS 304 |
| 10 | O-ring | VITON® |
| 11 | Belleville Spring Washer (2) | SUS 301 |
| 12 | Lever Nut (2) | SUS 304 |
| 13 | Locking Tab | SUS 304 |
| 14 | Handle | SUS 304 |
| 15 | Ball Seats | PTFE |
| 16 | Stop Screw | SUS 304 |
| 17 | Bolts | SUS 304 |
| 18 | Anti-Static Device | SUS 316 |
| 19 | Cavity Fillers | PTFE |
| 20 | Back Plug | PTFE |
| 21 | Back Plate | CF3M |



| Size | A | B | C | E | F | G | H | I | J | K | L | M | N | ISO5211 |
|------|------|------|-------|------|-------|------|------|------|------|------|----|----|----|---------|
| ½" | .37 | 1.05 | 4.33 | 1.54 | 5.19 | 2.36 | 2.16 | 1.00 | 1.95 | 1.40 | 6 | 3 | 9 | F03/F04 |
| ¾" | .62 | 1.30 | 4.69 | 1.77 | 5.19 | 2.54 | 2.34 | 1.00 | 1.95 | 1.40 | 6 | 3 | 9 | F03/F04 |
| 1" | 0.87 | 2.88 | 6.00 | 2.27 | 7.28 | 3.61 | 3.00 | 1.80 | 1.97 | 1.65 | 7 | 6 | 11 | F04/F05 |
| 1½" | 1.37 | 3.84 | 7.50 | 3.02 | 8.66 | 4.34 | 3.75 | 1.80 | 2.76 | 1.97 | 9 | 7 | 14 | F05/F07 |
| 2" | 1.87 | 4.74 | 8.50 | 3.41 | 8.66 | 4.74 | 4.25 | 2.50 | 2.76 | 1.97 | 9 | 11 | 14 | F05/F07 |
| 2½" | 2.37 | 3.34 | 8.98 | 3.84 | 9.92 | 5.00 | 6.50 | 3.00 | 4.00 | 2.76 | 11 | 9 | 17 | F07/F10 |
| 3" | 2.88 | 6.77 | 12.00 | 4.86 | 13.78 | 6.63 | 6.00 | 3.57 | 4.00 | 2.76 | 11 | 9 | 17 | F07/F10 |
| 4" | 3.83 | 8.28 | 13.00 | 5.51 | 13.78 | 7.28 | 6.50 | 4.68 | 4.00 | 2.76 | 11 | 9 | 17 | F07/F10 |